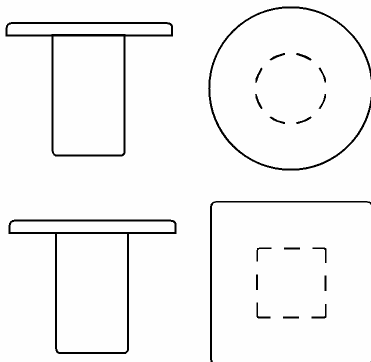
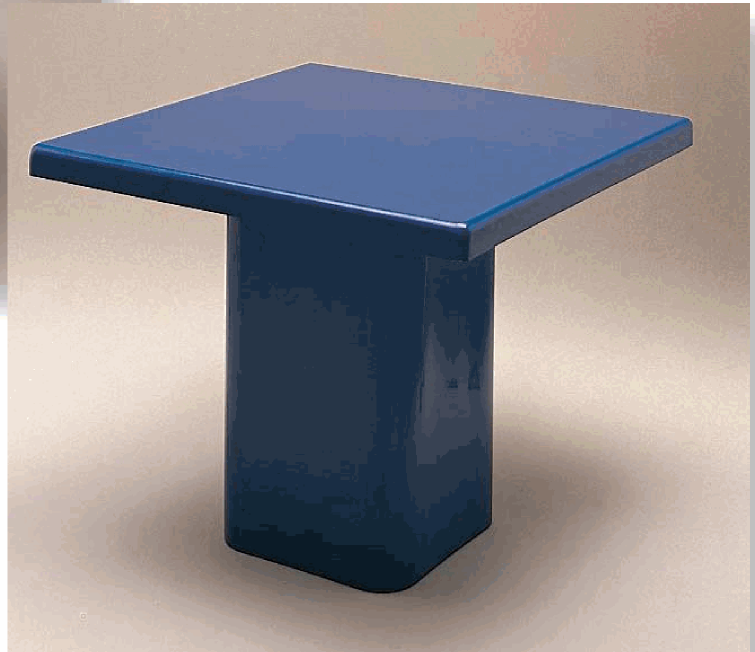


DURATION PEDESTAL TABLES



A hollow pedestal permanently joined to the table top, without mechanical attachments to work loose. These pedestals come in three sizes, according to the size of the top, and they must be filled with sand, gravel or cement for stability. Table tops come in three sizes in either round or square shape. All table tops are available individually for mounting on your frames, see the price list for sizes.



DURATION Round Table

| MODEL | DIA | HEIGHT | DIA/BASE | WT |
|-----------|-----|--------|----------|--------|
| 3630 RT/P | 36" | 30" | 16" | 30 lbs |
| 4230 RT/P | 42" | 30" | 20" | 40 lbs |

DURATION Square Table

| MODEL | SQ | HEIGHT | DIA/BASE | WT |
|-----------|-----|--------|----------|--------|
| 3630 ST/P | 36" | 30" | 16" | 30 lbs |
| 4230 ST/P | 42" | 30" | 20" | 44 lbs |